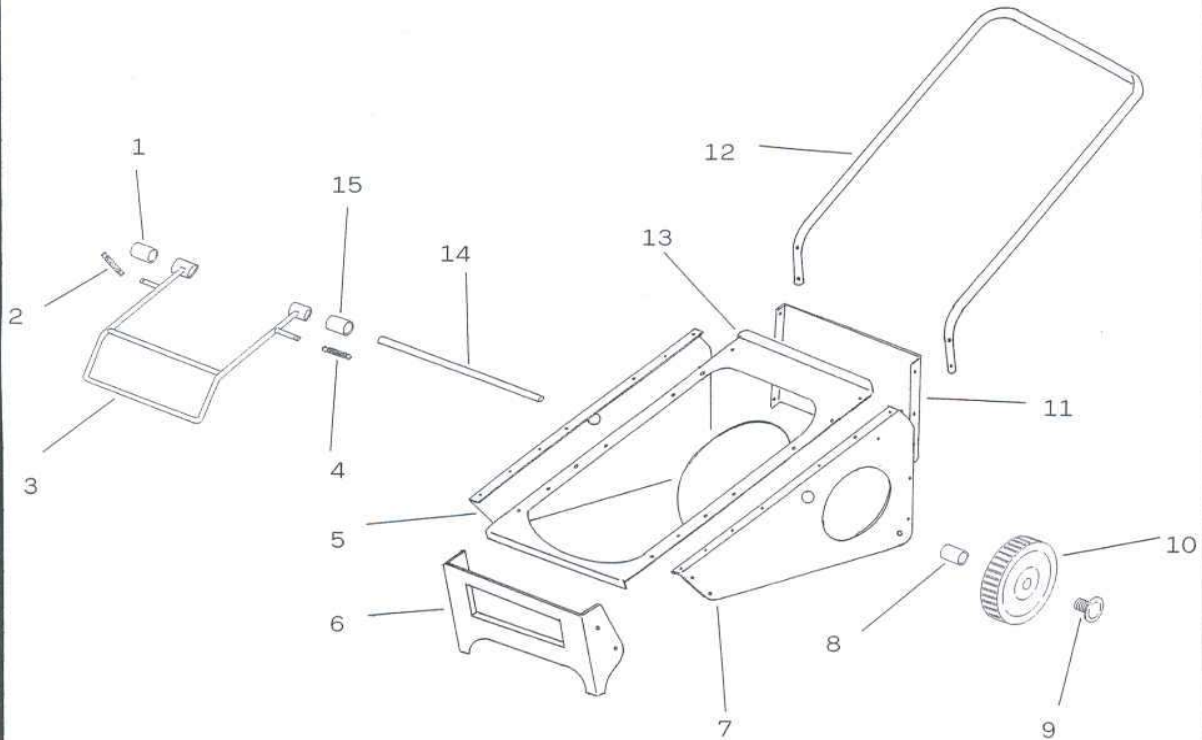


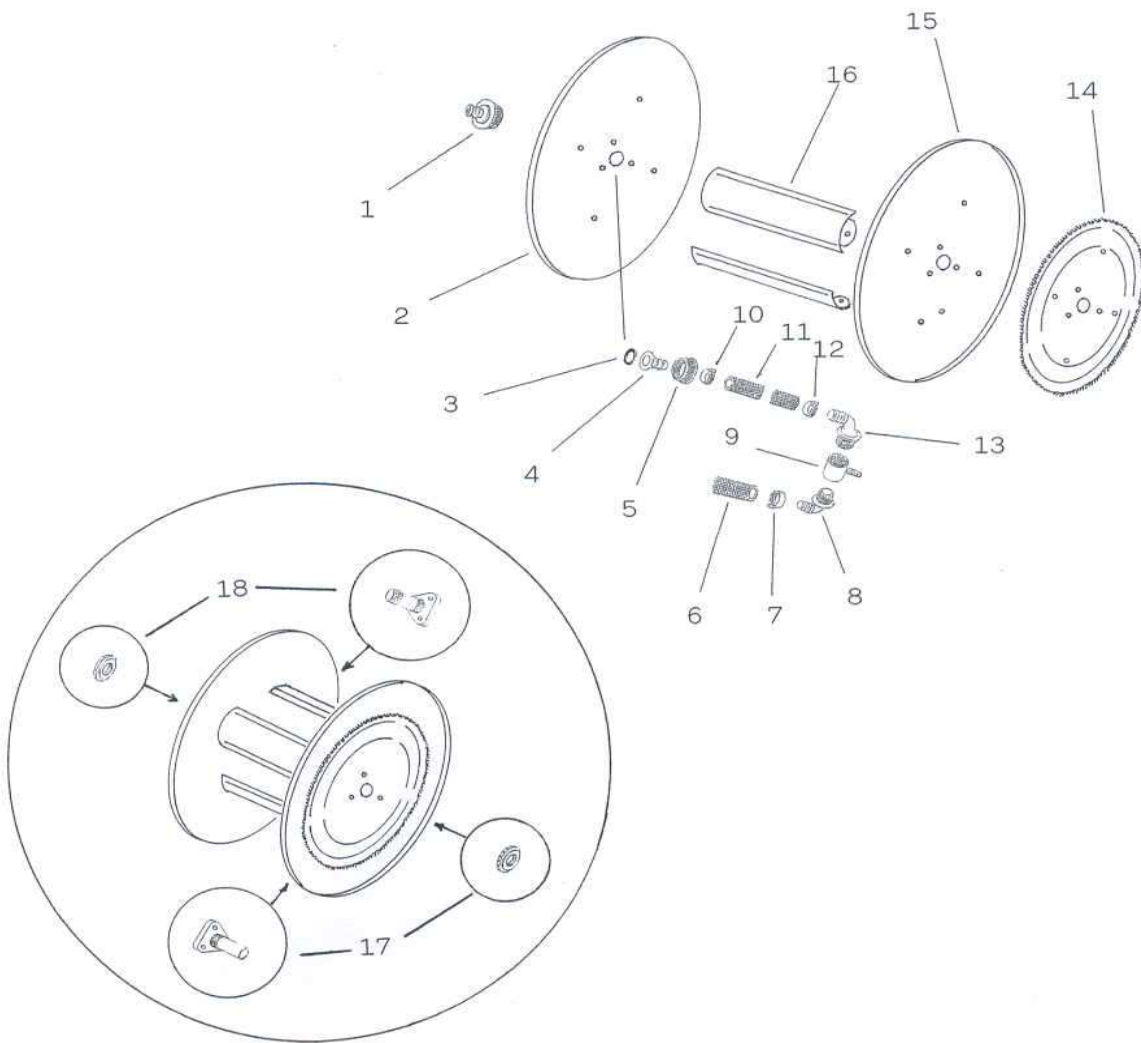
Leader 20



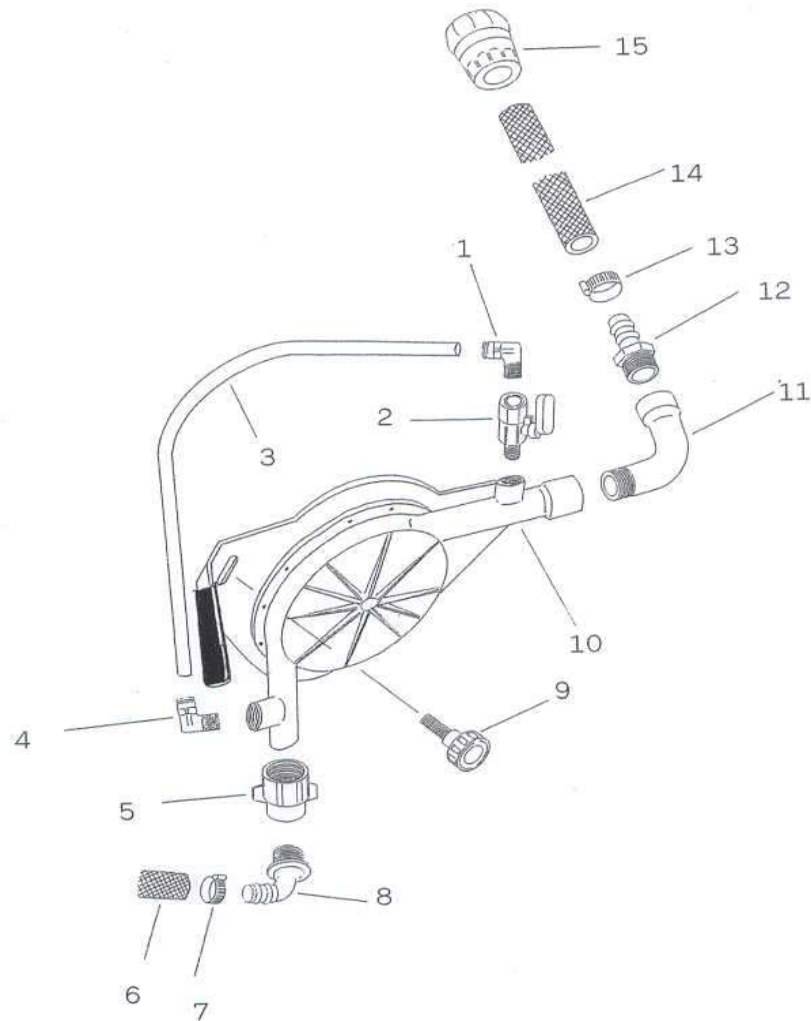
nedre rammontering

pag. A

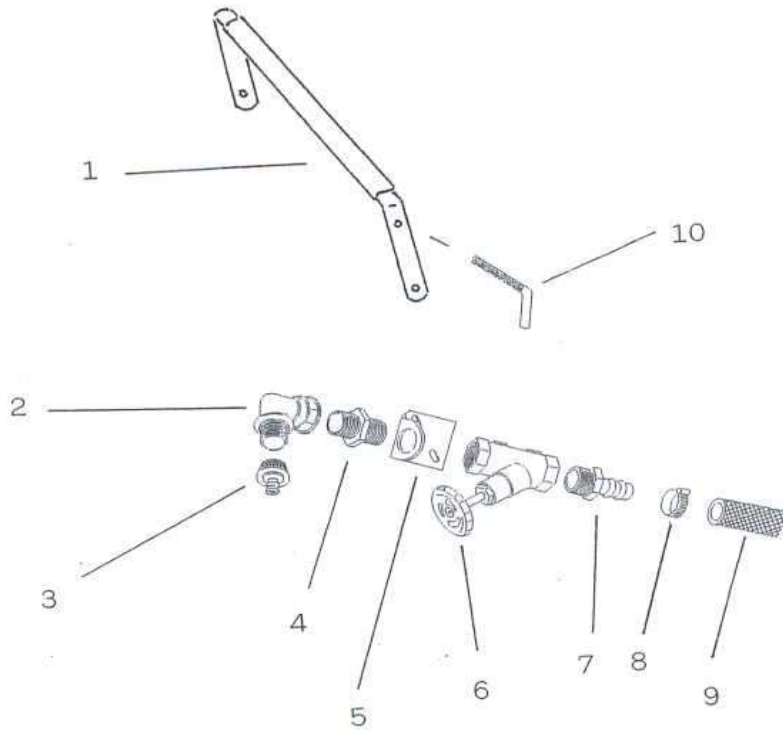
| pos. | koda | pos. | koda |
|------|--------------|------|--------------|
| 1 | LE200112 | 11 | PASS200101EC |
| 2 | LE50E029 | 12 | LE20M000 |
| 3 | TSLE2000 | 13 | LE20001AC |
| 4 | LE50E029 | 14 | ASP00000 |
| 5 | PASS200101DC | 15 | LE200113 |
| 6 | LE20001FC | 16 | - |
| 7 | LE20001CX | 17 | - |
| 8 | PASS0120 | 18 | - |
| 9 | RA200B12 | 19 | - |
| 10 | COP20200 | 20 | - |

Leader 20

spolmontage
pag.
B

| pos. | koda | pos. | koda |
|------|--------------|------|--------------|
| 1 | LE200114 | 11 | LE200005 |
| 2 | PASS200103AC | 12 | F16,25,9 |
| 3 | PASS035C | 13 | 601320 |
| 4 | PASS035B | 14 | PASS0130 |
| 5 | PASS035A | 15 | LE20003AC |
| 6 | 261000 | 16 | PASS200103CX |
| 7 | F16,25,9 | 17 | PASS006BL20 |
| 8 | 601320 | 18 | PASS006A |
| 9 | LE200004 | 19 | - |
| 10 | F16,25,9 | 20 | - |
| | | | |

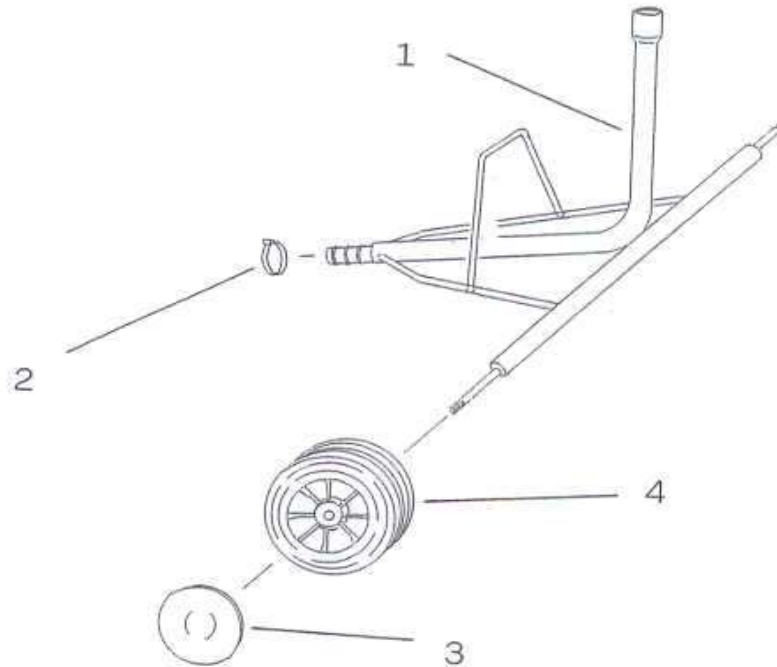
Leader 20

turbinenhet
pag.
C

| pos. | koda | pos. | koda |
|------|-----------------|-------|-----------|
| 1 | RCL901/4-10 | 11 12 | PP1/2X20C |
| 2 | MV14MF00 | | |
| 3 | LE200006 | 13 | F1625000 |
| 4 | RCL901/4-10 | 14 | LE200008 |
| 5 | F35100002C | 15 | 600220 |
| 6 | LE200009 | 16 | - |
| 7 | F1625000 | 17 | - |
| 8 | 601320 | 18 | - |
| 9 | GA45M8X50 | 19 | - |
| 10 | BA007L20 | 20 | - |
| 10 | LE200007 | | |

Leader 20

stoppgrupp
pag.
D

| pos. | koda | pos. | koda |
|------|-----------|------|------|
| 1 | TALE2000 | 11 | - |
| 2 | 1262033 | 12 | - |
| 3 | AC1016019 | 13 | - |
| 4 | NO3412 | 14 | - |
| 5 | LE200002 | 15 | - |
| 6 | VIM12L20 | 16 | - |
| 7 | 600220 | 17 | - |
| 8 | F1625000 | 18 | - |
| 9 | LE200009 | 19 | - |
| 10 | LE20ND10 | 20 | - |

Leader 20



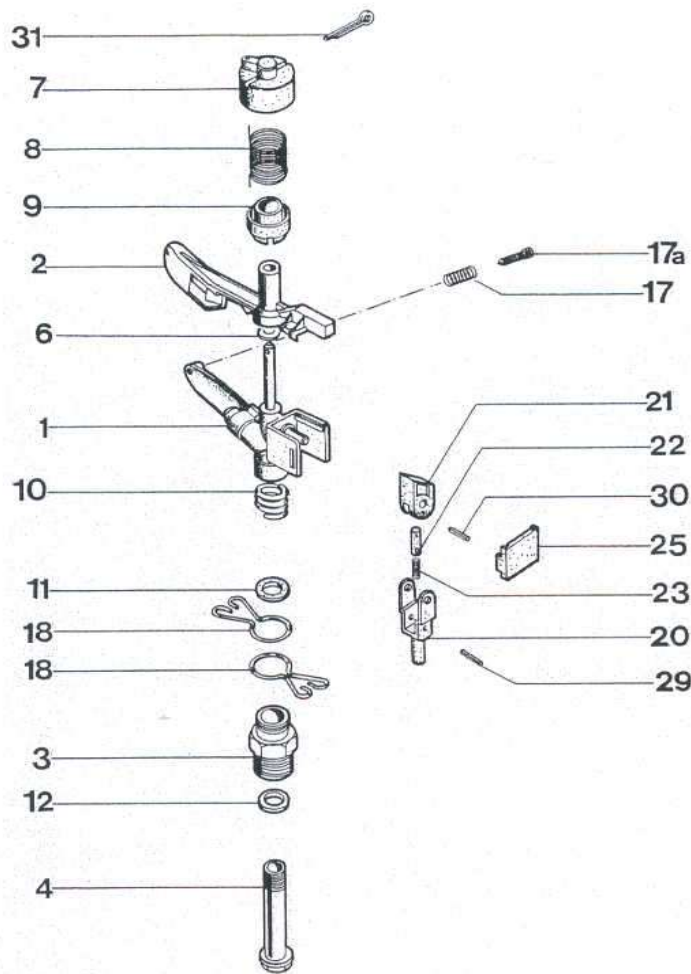
vagnmontering

pag.

E

| pos. | koda | pos. | koda |
|------|----------|------|------|
| 1 | LE20F000 | 11 | - |
| 2 | F1625000 | 12 | - |
| 3 | COP15000 | 13 | - |
| 4 | RA150B12 | 14 | - |
| 5 | - | 15 | - |
| 6 | - | 16 | - |
| 7 | - | 17 | - |
| 8 | - | 18 | - |
| 9 | - | 19 | - |
| 10 | - | 20 | - |

Leader 20



sprinklerenhet

pag. F

| pos. | koda | pos. | koda |
|------|-------|-------|-------|
| 1 | 30235 | 17 | 30337 |
| 2 | 30236 | 17a | 30248 |
| 3 | 30238 | 18 | 30249 |
| 4 | 30239 | 20 | 30250 |
| 6 | 30389 | 21 | 30251 |
| 7 | 30241 | 22 | 30252 |
| 8 | 30242 | 23 | 30314 |
| 9 | 30243 | 25 | 30253 |
| 10 | 30244 | 29 30 | 30254 |
| 11 | 30245 | 31 | 30256 |

Postadress:

TRÄDGÅRDSTEKNIK AB
Helsingborgsvägen 578, Varalöv
262 96 ÄNGELHOLM

Telefon : 0431-222 90
Bg.nr : 5743-7980
Org.nr : 556409-6120

URL:

www.tradgardsteknik.se
E-postadress:
info@tradgardsteknik.se